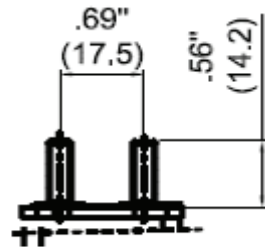
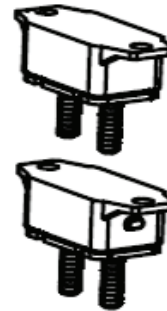
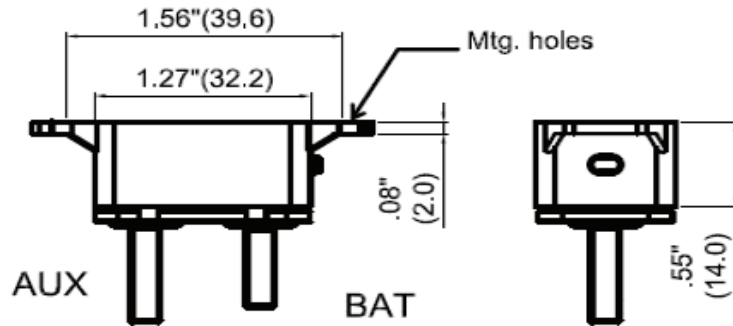


PART NUMBER	RATING (AMP)	VOLTAGE	TERMINAL STUD SIZE	MOUNTING HOLE SIZE	HARDWARE
71266	10 AMP	12/24V	10-32" (MAX. 50A)	0.196 DIA.	KEPS ASSEMBLED NUTS
71267	15 AMP	12/24V	10-32" (MAX. 50A)	0.196 DIA.	KEPS ASSEMBLED NUTS
71268	20 AMP	12/24V	10-32" (MAX. 50A)	0.196 DIA.	KEPS ASSEMBLED NUTS
71269	25 AMP	12/24V	10-32" (MAX. 50A)	0.196 DIA.	KEPS ASSEMBLED NUTS
71270	30 AMP	12/24V	10-32" (MAX. 50A)	0.196 DIA.	KEPS ASSEMBLED NUTS
71271	40 AMP	12/24V	10-32" (MAX. 50A)	0.196 DIA.	KEPS ASSEMBLED NUTS
71272	50 AMP	12/24V	10-32" (MAX. 50A)	0.196 DIA.	KEPS ASSEMBLED NUTS



B Two 10-32 studs;
.56" (AUX&BAT)

	MANUAL RESET STUD MOUNT CIRCUIT BREAKERS WITH PARALLEL MOUNTING BRACKET & BOOT
SERIES	TYPE 3 MANUAL RESET
CASE	PLASTIC, WITH PARALLEL MOUNTING BRACKET & BOOT
RATING	5-50A, 14Vdc, 28Vdc (for T2 & T3) 8A BELOW MEDIUM DELAY, MUST TRIP AT 150%
INTERRUPT RATING	2.5KA @ 12Vdc
OPERATING TEMPERATURE RATING	-40°F (-40°C) TO 185°F (85°C)
STORAGE TEMPERATURE RATING	-40°F (-40°C) TO 260°F (125°C)
MATERIALS	BLACK UL RATE THERMOPLASTIC BODY / GRAY THERMOPLASTIC OR STEEL COVER
MARKING	CUSTOM MARKING AVAILABLE - CONSULT FACTORY FOR OPTION
TERMINAL	10-32 THREAD AND QUICK-CONNECTOR AVAILABLE
TORQUE RATING	24in-lb (2.7Nm) MAX
MOUNTING TORQUE RATING	PLASTIC COVER 15in-lb (1.7Nm) STEEL COVER 30in-lb (3.4Nm)
INGRESS PROTECTION RATING	IP66 ON PLASTIC COVER (EXCEPT FOR TERMINAL)
COMPLIANCE	SAE J553 / SAE J1171 CONSULT FACTORY FOR IGNITION PROTECTION RATING
DIAGRAM NOT TO SCALE	